

Banjoluxe Armrest Installation Instructions #5070D, 5070Q

#410 Hardware Pack: 5070D, 5070Q Armrest

Qty.	Part #	Description
2	135	8 x 1 1/4" Wood Screws
4	116	8 x 1/2" Wood Screws
3	118	1/4-20 x 1" Socket Head Cap Screws
5	119	1/4-20 Nutserts (one extra for practice)
1	122	1/4-20 Hex Nut (for nutsert tool)
1	123	1/4" USS Flat Washer (for nutsert tool)
1	136	1/4-20 x 1" Flat Head Socket Screw

This armrest is designed to attach to the metal inner door panel for strength. Nutserts are included for that purpose. Nutserts should be installed on a fairly flat surface of the door and should fit snugly into the drilled hole.

Light Strip Helpful Hints:

- Do **NOT** remove the paper coating on the back of the light strip! We have provided a groove on the underside of the wooden pad to hold the strip in place. Gently slide the strip into the groove with dry hands.
- The RED wire needs to go to a 12v + (positive) source. The BLACK wire goes to ground.

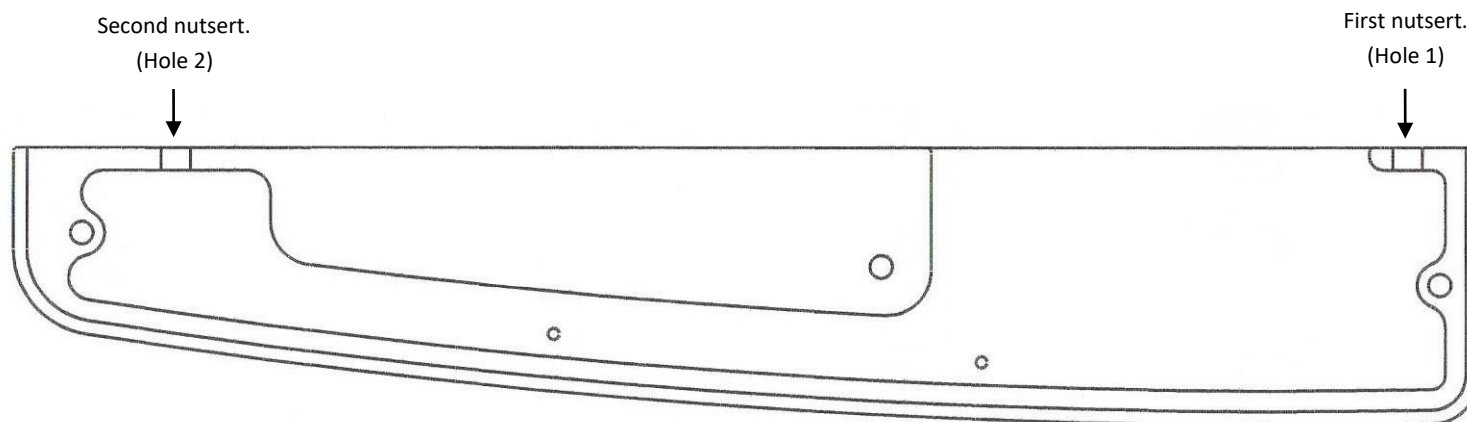
Installation: Please read and understand all instructions before drilling holes in your vehicle.

STEP 1: Hold the armrest in the desired location on a fairly flat surface on the door panel, then mark and drill the placement for insertion of the first nutsert (**Hole 1**) (see diagram below) using a 25/64 drill bit.

STEP 2: Install the first nutsert. Put a 1/4-20 x 1" Flat Head Socket Screw in **Hole 1**. This allows room for your power window switches.

STEP 3: Make sure the armrest is straight then mark and drill for second nutsert (**Hole 2**).

STEP 4: Install the second nutsert. Put a 1/4-20 x 1" Socket Head Cap Screw in **Hole 2**. Attach your upholstered wooden pads using the included wood screws. This completes the armrest installation.



NUTSERT TOOL:

Body shops and upholstery shops usually have an installation tool.

MAKING A NUTSERT TOOL:

TOOLS NEEDED:

3/16" allen wrench
7/16" wrench

HARDWARE (Included in the armrest pack.):

1 - 1/4 - 20 x 1 Socket Head Cap Screw
1 - 1/4 - 20 Hex Nut
1 - 1/4 Flat Washer
Nutserts - (qty depends on type of armrest)

There is an extra nutsert included so you can practice on a piece of scrap metal before attaching one to your vehicle. The nutserts should fit snugly into the drilled hole.

STEP 1: Put some lubrication on the 1/4 – 20 x 1 Socket Head Cap Screw threads to make installation easier. Put the washer, nut and 1/4 – 20 x 1 Socket Head Cap Screw through the end of the nutsert that has a flange. Screw down until the screw head bottoms against the nut.

STEP 2: Push the nutsert assembly through the installation hole until it bottoms on the flange. Use the 3/16" allen wrench to stop the assembly from turning as well as hold it straight while you tighten the nut to expand the nutsert. Stop tightening once the locking flange has been established (see picture). Remove the nut, washer, and screw. This completes the nutsert installation.

